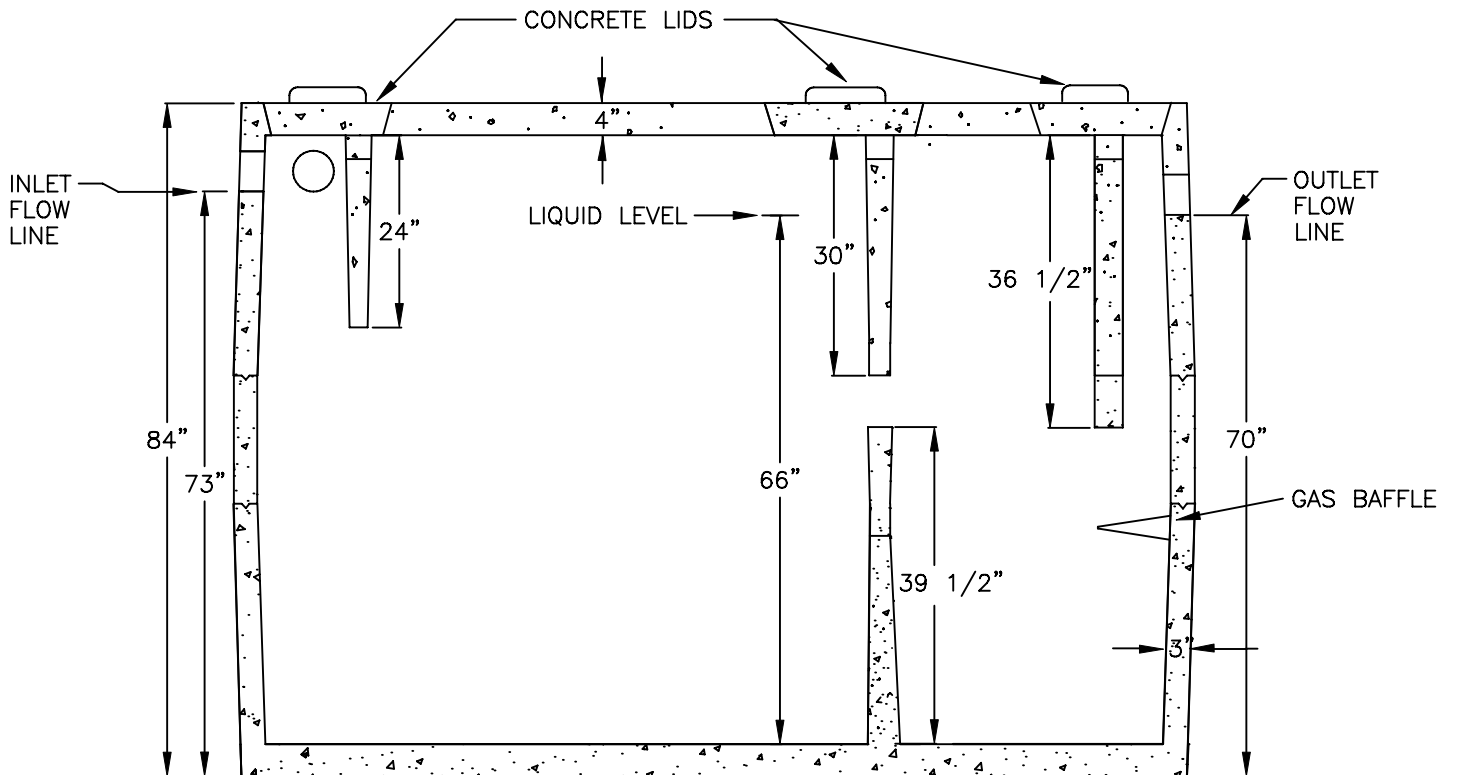


TOP VIEW



CUT AWAY SIDE VIEW

DARNALL CONCRETE PRODUCTS COMPANY

2000 GALLON SEPTIC TANK DETAIL

6/26/2012