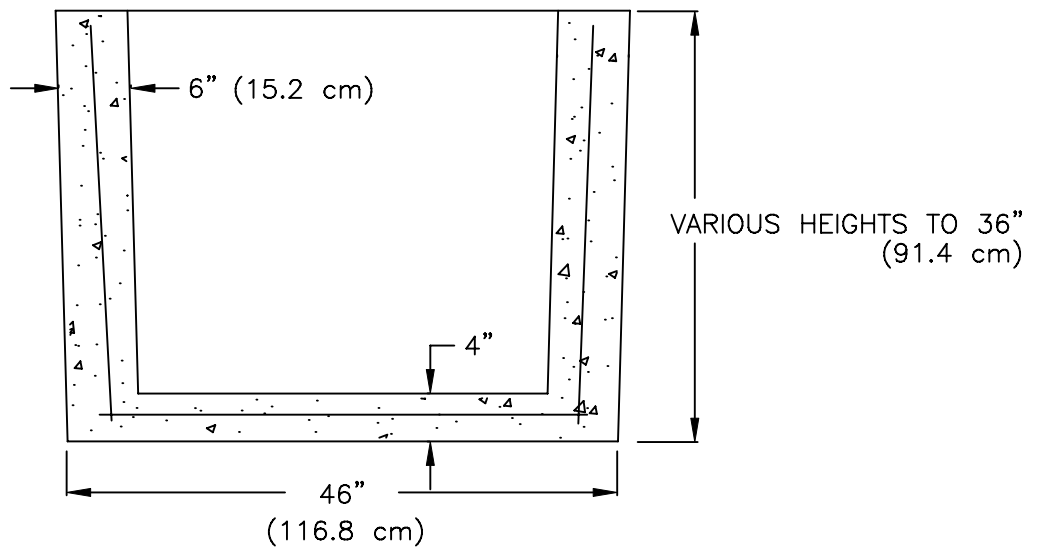


TOP VIEW



CUT AWAY SIDE VIEW  
(SHOWING REINFORCEMENT)

REINFORCEMENT SCHEDULE:

6X6 6-6 MESH  
4 - 1/2" REBAR @ 42" LONG

DARNALL CONCRETE PRODUCTS COMPANY
G1 INLET BOX
6/27/2012