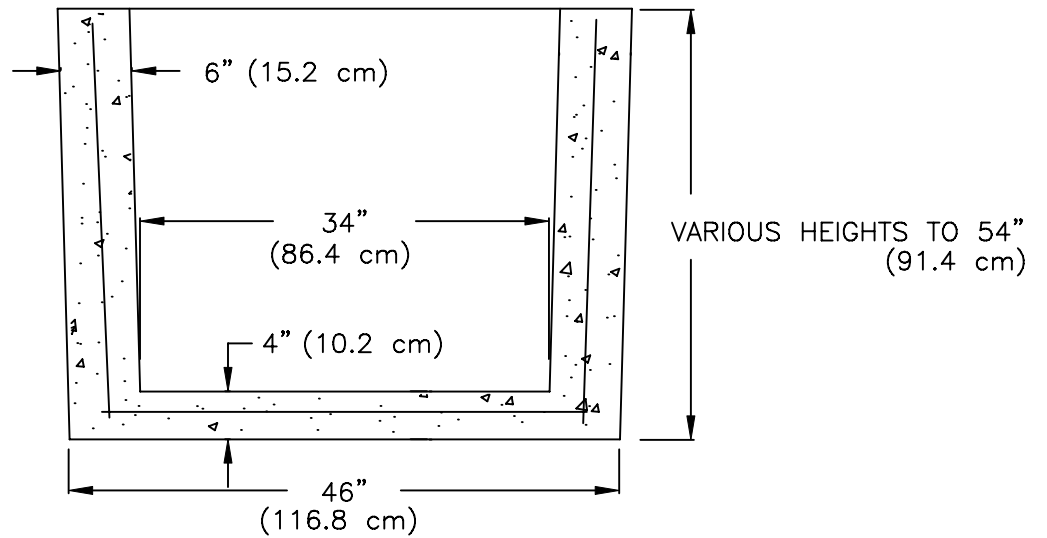


TOP VIEW



CUT AWAY SIDE VIEW
(SHOWING REINFORCEMENT)

Reinforcement Schedule:

6x6 6-6 Mesh
4-1/2" Rebar @ 42" Long

DARNALL CONCRETE PRODUCTS COMPANY

H1 INLET BOX

6/27/2012