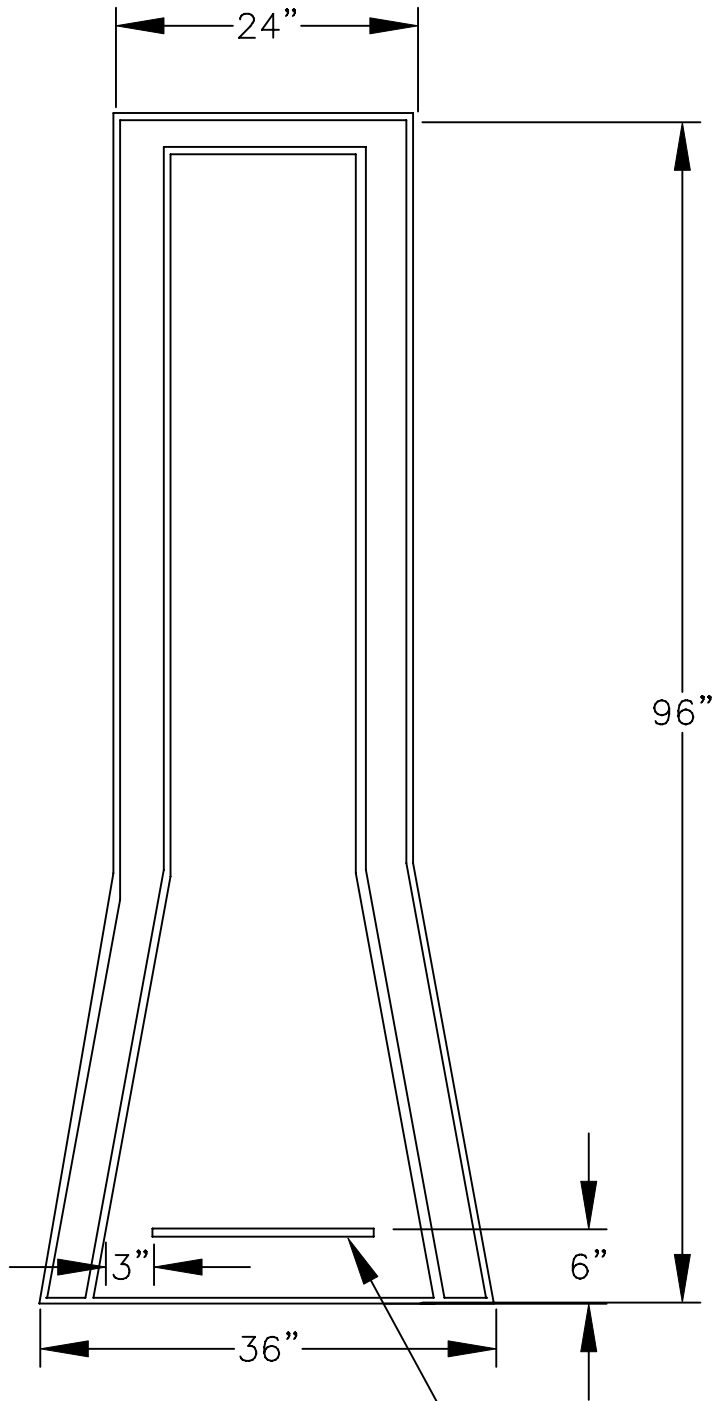
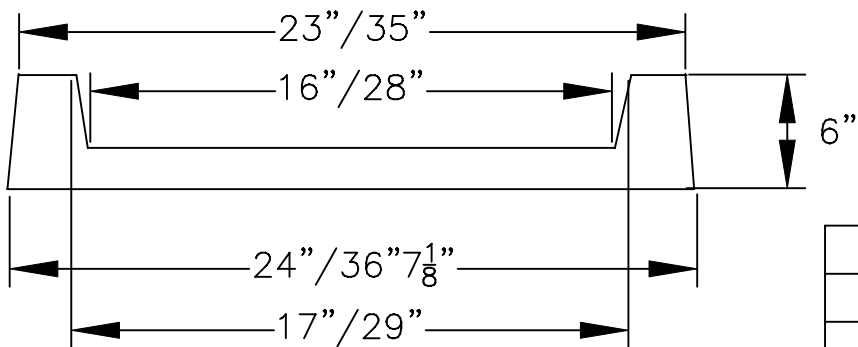


DARNALL CONCRETE PRODUCTS COMPANY
30" AND 36" SPLASH BLOCK
6/27/2012



1 1/2 WIDE X 1 1/2 TALL
WATER DIVERTER



DARNALL CONCRETE PRODUCTS CO.	
96" SPLASHBLOCK	QUAN: 1
6/27/2012	