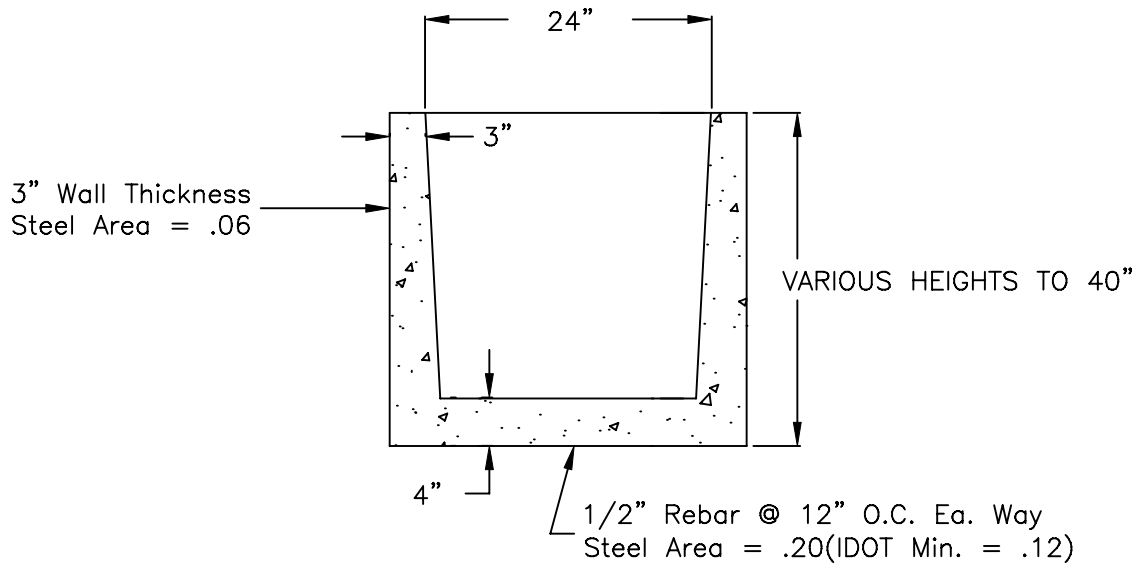


MEETS OR EXCEEDS ASTM C-478
AND IDOT ROAD AND BRIDGE SPECIFICATIONS

STATE OF ILLINOIS STANDARD TYPE A INLET
IDOT Standard
602301-02



DARNALL CONCRETE PRODUCTS COMPANY
2' Diameter Type A Inlet
4/30/10