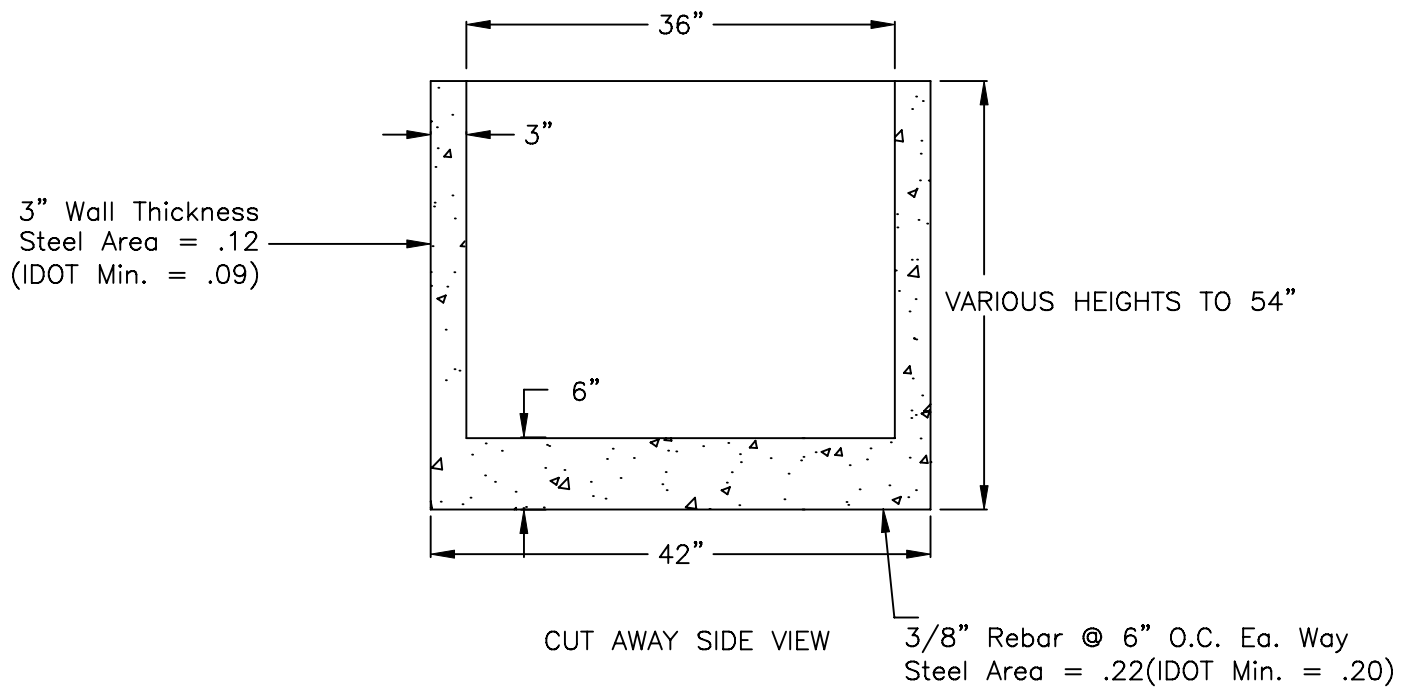
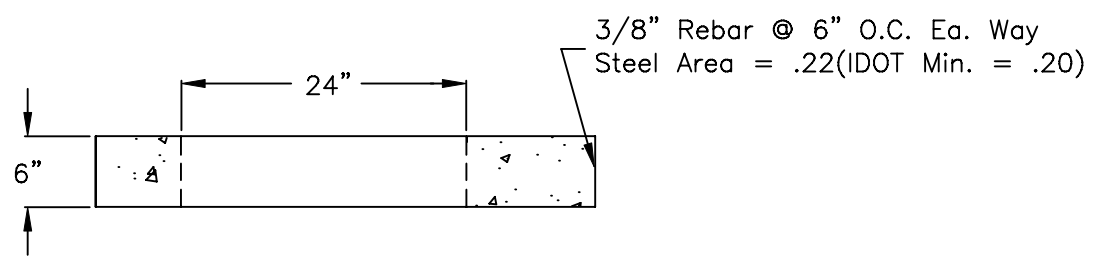


MEETS OR EXCEEDS ASTM C-478
AND IDOT ROAD AND BRIDGE SPECIFICATIONS

STATE OF ILLINOIS STANDARD TYPE B INLET
IDOT Standard 602306-02



| |
|---------------------------|
| DARNALL CONCRETE PRODUCTS |
| Type B Inlet |
| 2/9/2010 |