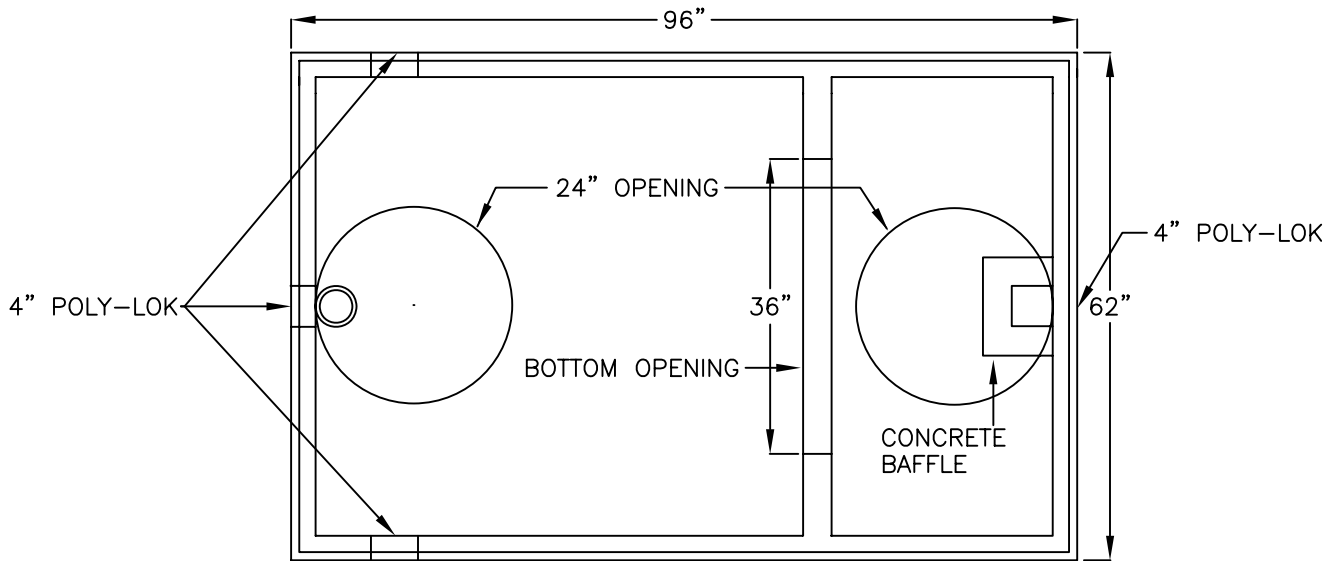
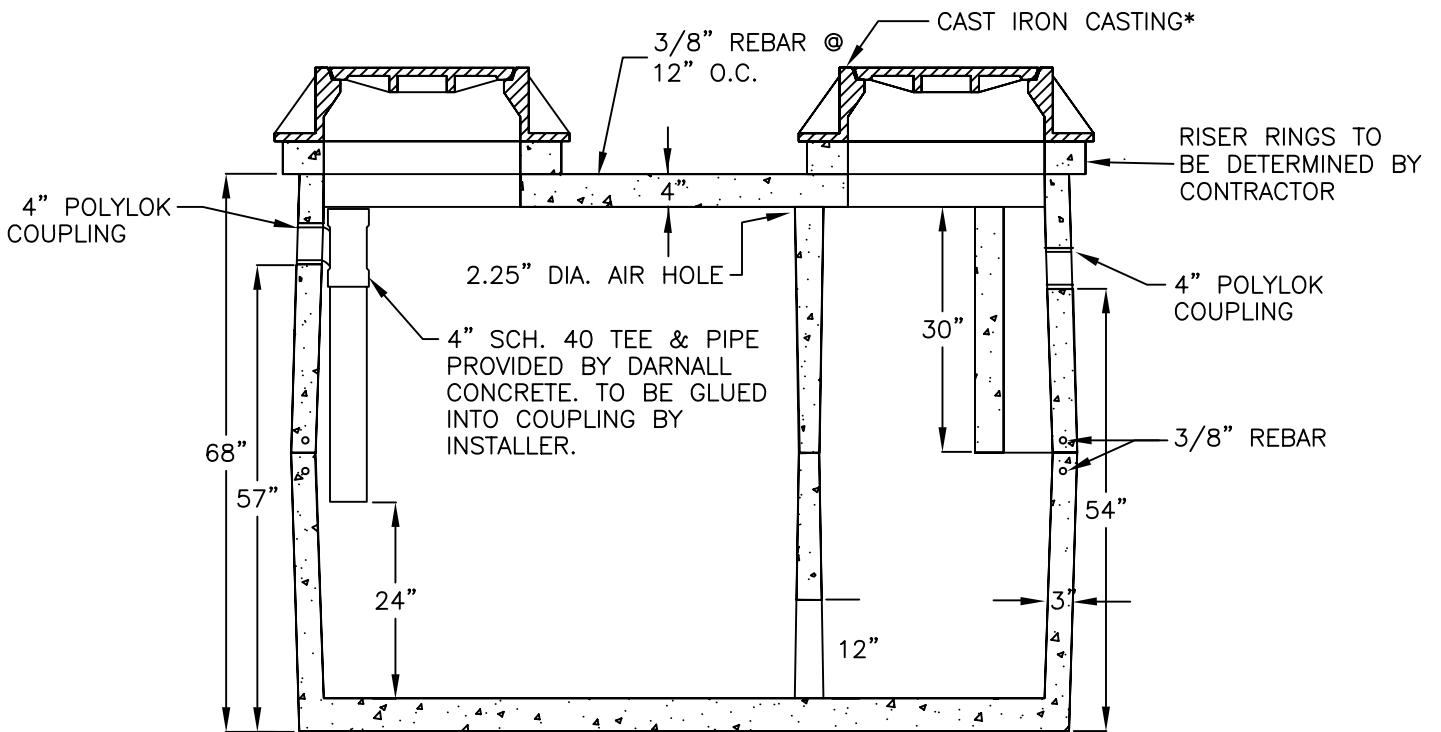


1000 GALLON GREASE TRAP



CONCRETE CONTAINS STRUCTURAL FIBRE FOR REINFORCEMENT

TOP VIEW



CASTING AND RISER RINGS NOT INCLUDED IN GREASE TRAP PRICE UNLESS REQUESTED BY CONTRACTOR.

CUT AWAY SIDE VIEW

1000 GALLON GREASE TRAP
Darnall Concrete Products Co.
10/25/2013