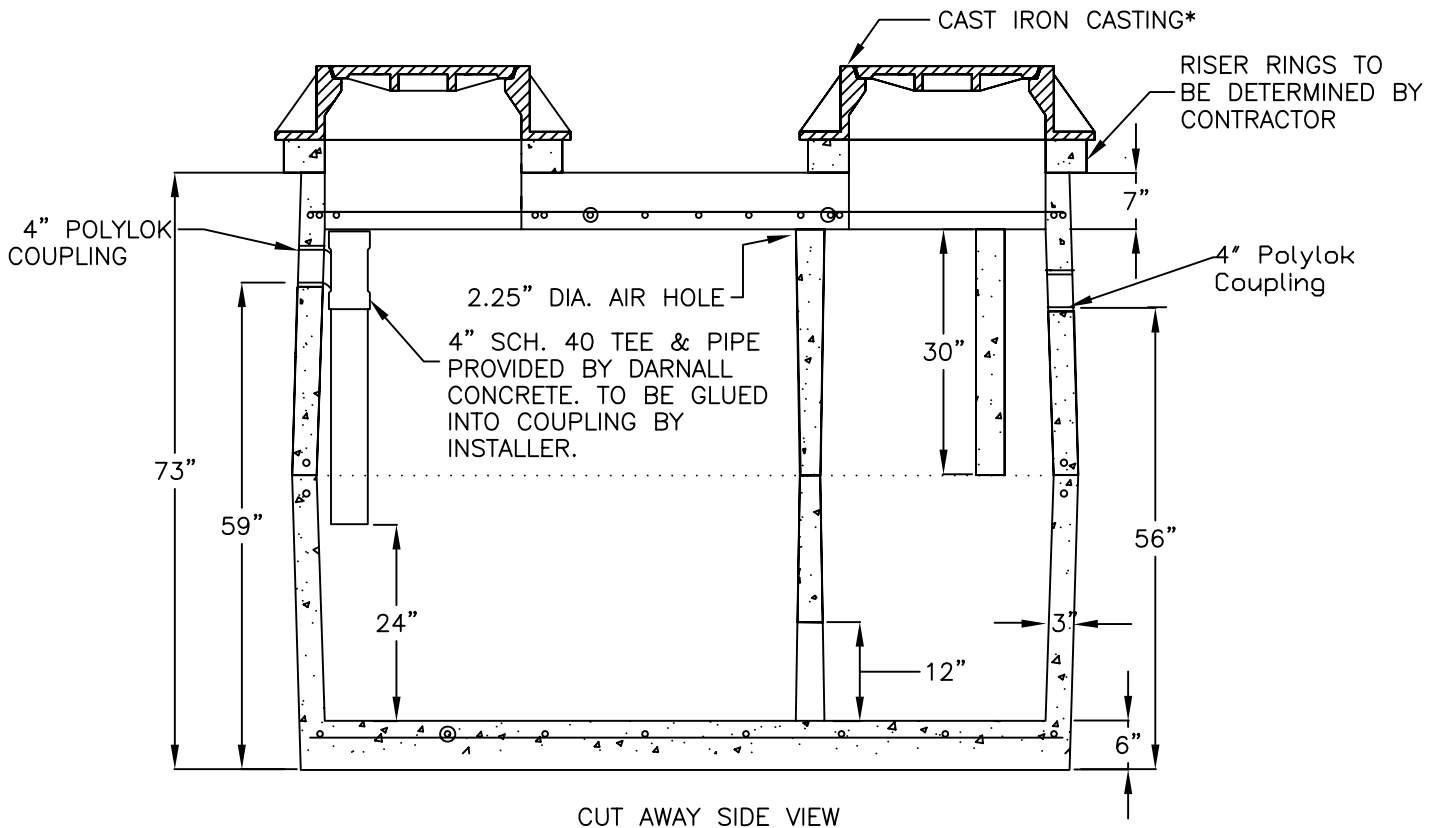
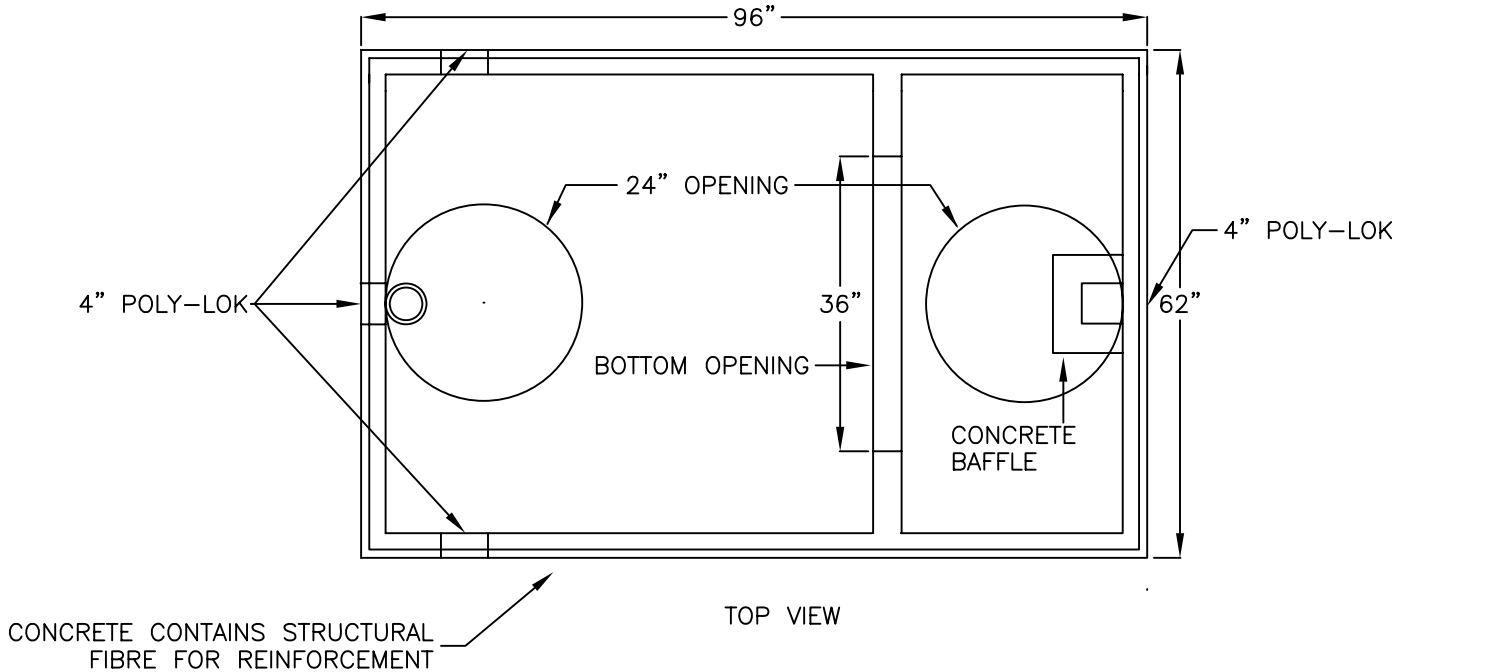


1000 Gallon Grease Trap HS20 Rated



Design Notes:

1. Design per ACI 318 and ASTM C1227 Part 6.
2. Live load = AASHTO HS-20
3.  $f'_c = 50$  KSI @ 28 days with 5.33#/C.Y. Grace Strux 90/40 fiber.
4. Unit weight of concrete = 150 PCF.
5. Earth fill: 1.0' to 8'.
6. Unit weight of soil = 120 PCF.
7. Water table = 3' below grade.
8. Reinforcing bars per ASTM A706, grade 60.

Castings and riser rings not included in grease trap pricing unless requested by the contractor.

1000 GALLON GREASE TRAP HS20 DETAIL
Darnall Concrete Products Co.
02/04/2014